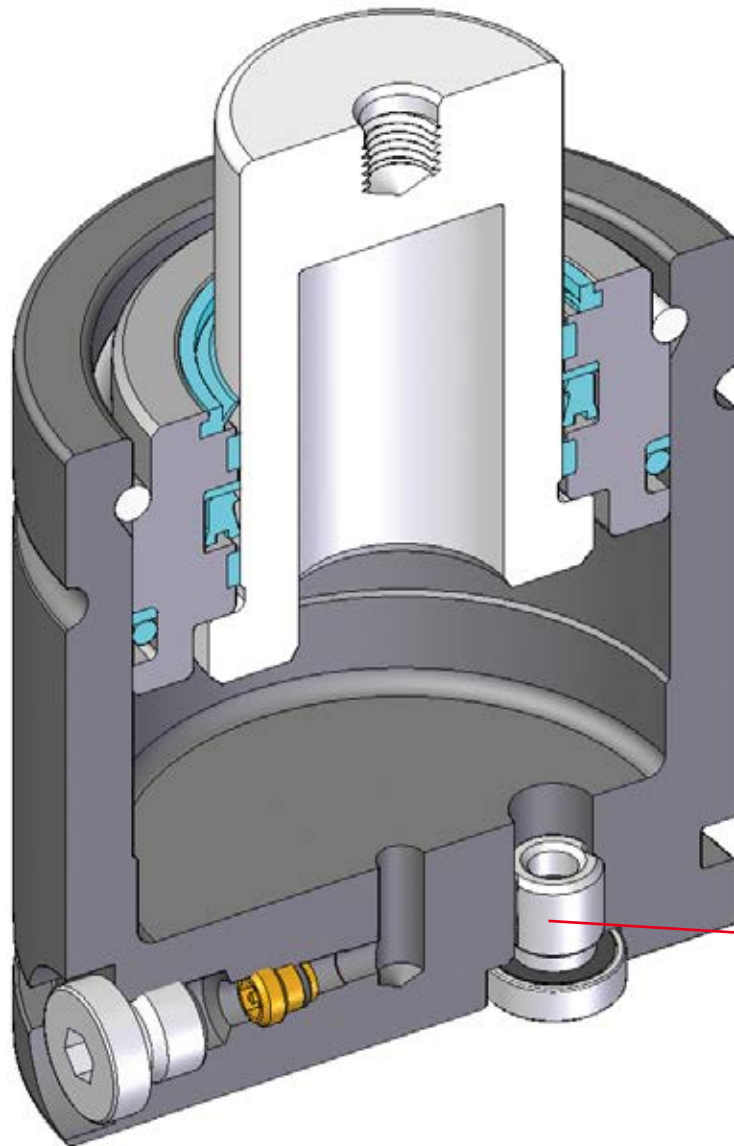

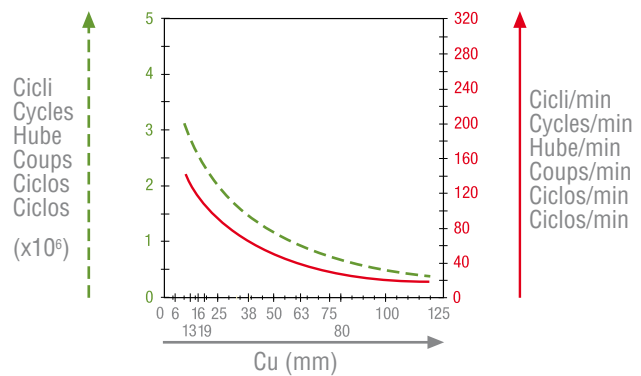
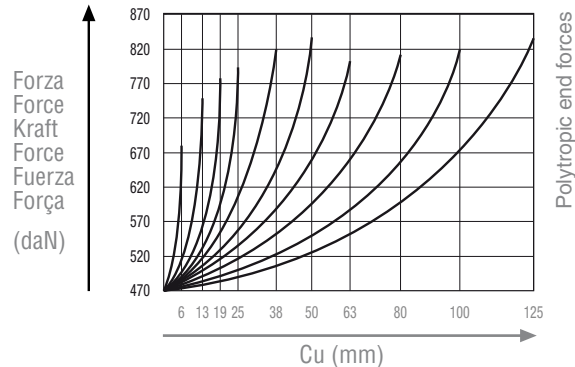
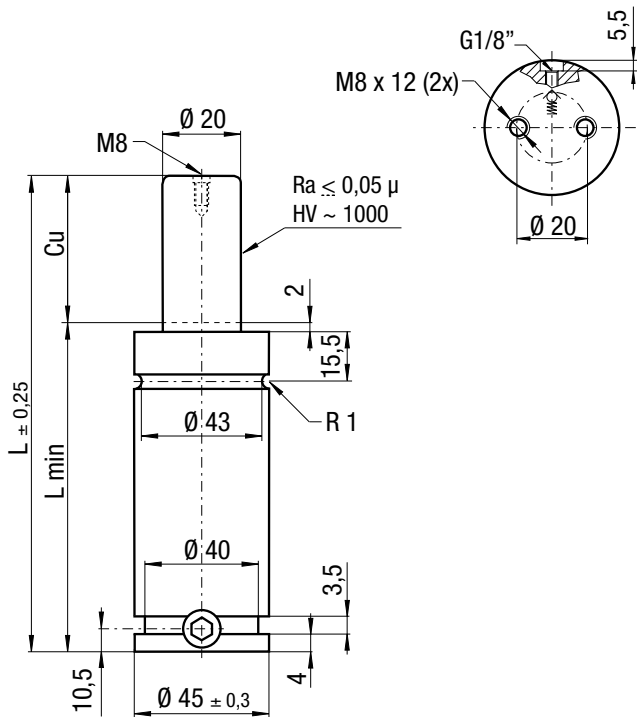


S**SERIES**
PED
 97/23/EC

 Forze ISO, altezza ridotta - ISO forces, low profile - ISO Kräfte, Verminderung der Höhe -
 ISO forces, hauteur réduite - ISO fuerzas, altura reducida - ISO potência, altura reduzida

Over
Pressure
Active
Safety
Range chart

| Model | Body Ø mm | Stroke Cu mm | Initial force daN |  | | |
|--------|-----------------|--------------------|-------------------------|---|------|------|
| | | | | SKUDO | OSAS | OPAS |
| S 500 | 45 | 6 - 125 | 470 | - | - | - |
| S 750 | 50 | 6 - 125 | 740 | - | - | - |
| S 1500 | 75 | 25 - 100 | 1530 | - | - | ✓ |
| S 3000 | 95 | 25 - 100 | 2945 | - | - | ✓ |

Forze ISO, altezza ridotta - ISO forces, low profile - ISO Kräfte, Verminderung der Höhe - ISO forces, hauteur réduite - ISO fuerzas, altura reducida - ISO potência, altura reduzida



ORDER (10) S 500-050-A
ORDER (10) S 500-050-A-N

Fixings: Drop-In, Bottom mount (FB 45 - FBA 45), FS2 45 (FS2A 45), FC 45 A (FCQ 45 A), FSA 45

Max. Speed: 1,8 m/s
 Temperature: 32 °F / 0 °C to 176 °F / 80 °C
 Gas: N₂
 P max: 150 bar / 2175 psi
 P min: 20 bar / 290 psi
 S: 3,14 cm²
 Maintenance kit: 39BMS00500A

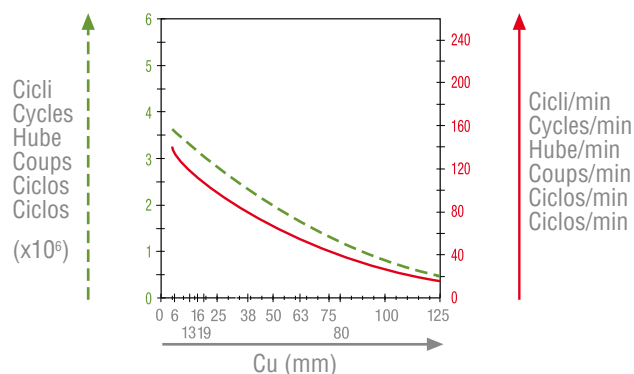
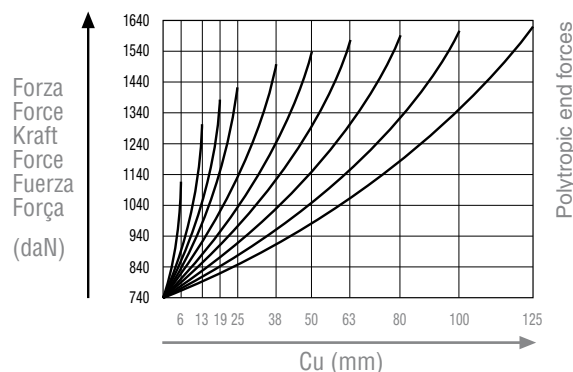
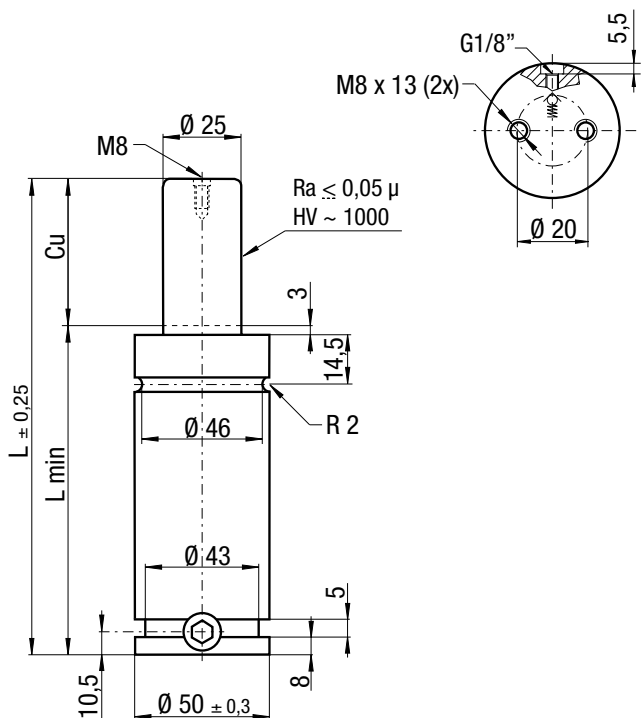
Technical specifications

| Code | Cu | L | Lmin | Fo at 150 bar/+20 °C daN (±5%) | Vo cm ³ | connecting hole G1/8" Jic 37° hose Minimess hose | Kg |
|----------------|-----|-----|------|--------------------------------------|-----------------------|---|-------|
| NEW | mm | mm | mm | | | | |
| S500 - 006 - A | 06 | 62 | 56 | 470 | 7,1 | S500 - 006 - A - N | ~0,51 |
| S500 - 013 - A | 13 | 76 | 63 | 470 | 14,4 | S500 - 013 - A - N | ~0,56 |
| S500 - 019 - A | 19 | 88 | 69 | 470 | 20,6 | S500 - 019 - A - N | ~0,60 |
| S500 - 025 - A | 25 | 100 | 75 | 470 | 26,9 | S500 - 025 - A - N | ~0,65 |
| S500 - 038 - A | 38 | 126 | 88 | 470 | 40,4 | S500 - 038 - A - N | ~0,74 |
| S500 - 050 - A | 50 | 150 | 100 | 470 | 52,9 | S500 - 050 - A - N | ~0,83 |
| S500 - 063 - A | 63 | 176 | 113 | 470 | 66,4 | S500 - 063 - A - N | ~0,96 |
| S500 - 080 - A | 80 | 210 | 130 | 470 | 84,1 | S500 - 080 - A - N | ~0,99 |
| S500 - 100 - A | 100 | 250 | 150 | 470 | 104,9 | S500 - 100 - A - N | ~1,14 |
| S500 - 125 - A | 125 | 300 | 175 | 470 | 130,7 | S500 - 125 - A - N | ~1,32 |

Info pg. 229



Forze ISO, altezza ridotta - ISO forces, low profile - ISO Kräfte, Verminderung der Höhe - ISO forces, hauteur réduite - ISO fuerzas, altura reducida - ISO potência, altura reduzida



(10) S 750-050-A
ORDER (10) S 750-050-A-N

Fixings

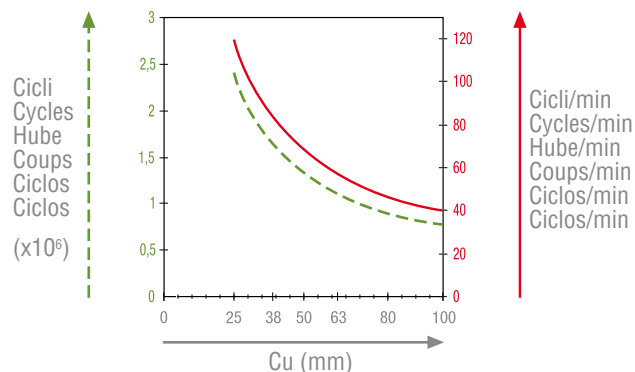
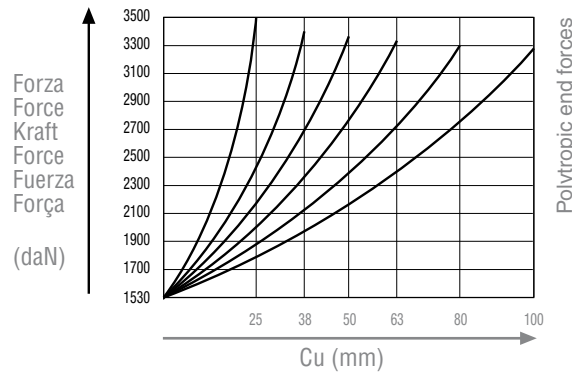
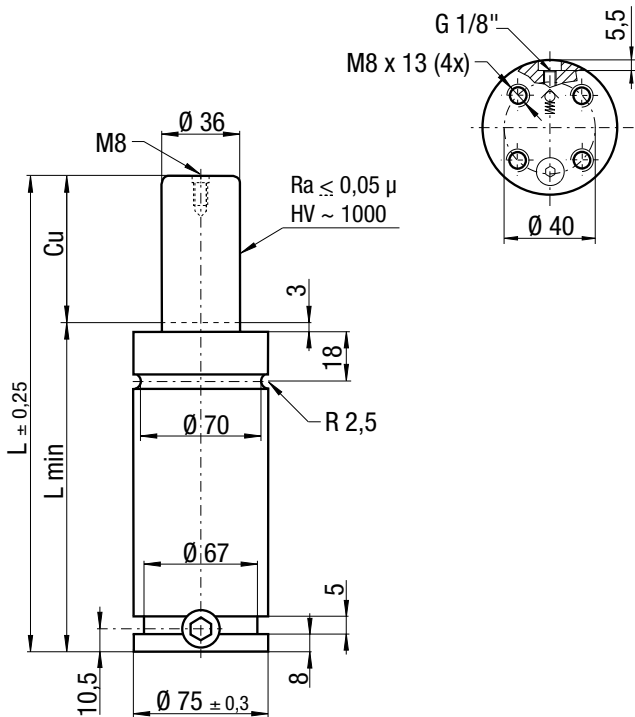
| | | | | | | | | |
|------------------------------|------------------------|----------------------|--|-------------------------------------|-----------------------------------|-------------------------------------|--|---------------------------------------|
| Max. Speed 1,8 m/s | °F 32 176 | °C 0 80 | | P max 150 bar 2175 psi | P min 20 bar 290 psi | S 4,91 cm ² | | Maintenance kit 39BMS00750A |
|------------------------------|------------------------|----------------------|--|-------------------------------------|-----------------------------------|-------------------------------------|--|---------------------------------------|

Technical specifications

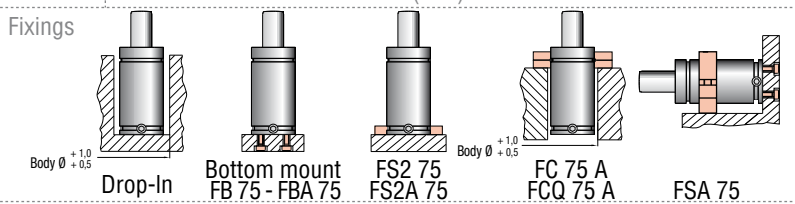
| Code | Cu | L | Lmin | Fo | Vo | connecting hole G1/8" | Kg |
|----------------|-----|-----|------|--------------------------------|-----------------|-------------------------------|-------|
| NEW | mm | mm | mm | at 150 bar/+20 °C daN (±5%) | cm ³ | Jic 37° hose Minimess hose | |
| S750 - 006 - A | 6 | 62 | 56 | 740 | 39,5 | S750 - 006 - A - N | ~0,59 |
| S750 - 013 - A | 13 | 76 | 63 | 740 | 49,7 | S750 - 013 - A - N | ~0,65 |
| S750 - 019 - A | 19 | 88 | 69 | 740 | 58,5 | S750 - 019 - A - N | ~0,70 |
| S750 - 025 - A | 25 | 100 | 75 | 740 | 67,2 | S750 - 025 - A - N | ~0,76 |
| S750 - 038 - A | 38 | 126 | 88 | 740 | 86,2 | S750 - 038 - A - N | ~0,80 |
| S750 - 050 - A | 50 | 150 | 100 | 740 | 103,7 | S750 - 050 - A - N | ~1,00 |
| S750 - 063 - A | 63 | 176 | 113 | 740 | 122,6 | S750 - 063 - A - N | ~1,10 |
| S750 - 080 - A | 80 | 210 | 130 | 740 | 147,4 | S750 - 080 - A - N | ~1,70 |
| S750 - 100 - A | 100 | 250 | 150 | 740 | 176,6 | S750 - 100 - A - N | ~1,96 |
| S750 - 125 - A | 125 | 300 | 175 | 740 | 213 | S750 - 125 - A - N | ~2,07 |

Info pg. 229

Forze ISO, altezza ridotta - ISO forces, low profile - ISO Kräfte, Verminderung der Höhe - ISO forces, hauteur réduite - ISO fuerzas, altura reducida - ISO potência, altura reduzida



ORDER (10) S 1500-050-A
 ORDER (10) S 1500-050-A-N



| | | | | | | | |
|------------------------------|--|----------------------|-------------------------------------|-----------------------------------|--------------------------------------|---------------------------------------|-------------------------|
| Max. Speed 1,8 m/s | °F 32 °C 0 176 80 | N₂ | P max 150 bar 2175 psi | P min 20 bar 290 psi | S 10,18 cm ² | Maintenance kit 39BMS01500A | lifeplus concept |
|------------------------------|--|----------------------|-------------------------------------|-----------------------------------|--------------------------------------|---------------------------------------|-------------------------|

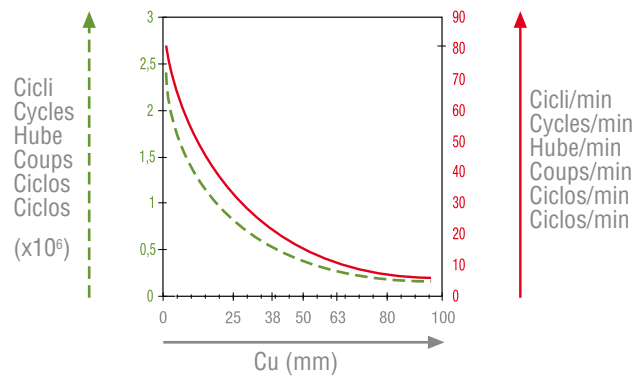
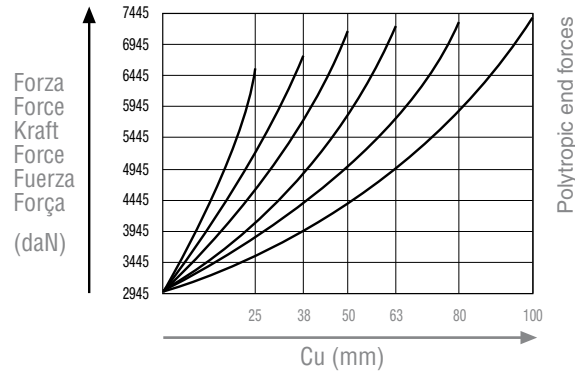
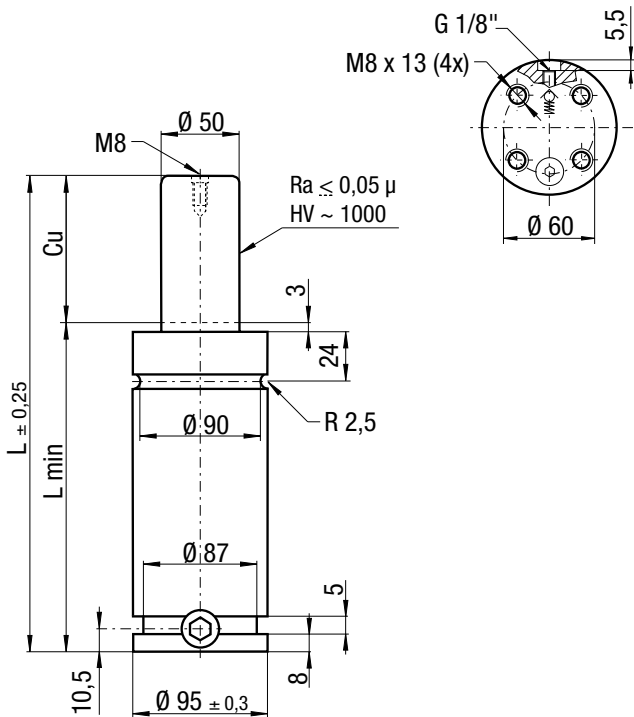
Technical specifications

| Code | Cu | L | Lmin | Fo | Vo | connecting hole G1/8" | Kg |
|-----------------|-----|-----|------|--------------------------------|-----------------|--------------------------------|-------|
| NEW | mm | mm | mm | at 150 bar/+20 °C daN (±5%) | cm ³ | Jic 37° hose Minimesse hose | |
| S1500 - 025 - A | 25 | 110 | 85 | 1530 | 81,3 | S1500 - 025 - A - N | ~1,93 |
| S1500 - 038 - A | 38 | 136 | 98 | 1530 | 123,5 | S1500 - 038 - A - N | ~2,18 |
| S1500 - 050 - A | 50 | 160 | 110 | 1530 | 162,4 | S1500 - 050 - A - N | ~3,64 |
| S1500 - 063 - A | 63 | 186 | 123 | 1530 | 204,5 | S1500 - 063 - A - N | ~3,91 |
| S1500 - 080 - A | 80 | 220 | 140 | 1530 | 259,7 | S1500 - 080 - A - N | ~4,28 |
| S1500 - 100 - A | 100 | 260 | 160 | 1530 | 324,5 | S1500 - 100 - A - N | ~4,72 |

Info pg. 229

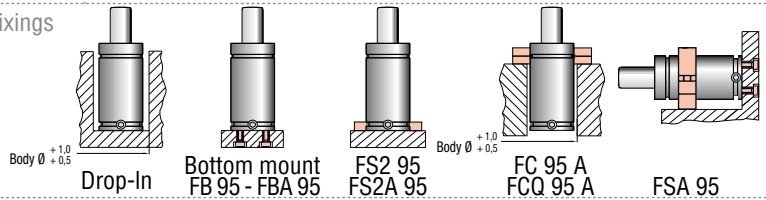


Forze ISO, altezza ridotta - ISO forces, low profile - ISO Kräfte, Verminderung der Höhe - ISO forces, hauteur réduite - ISO fuerzas, altura reducida - ISO potência, altura reduzida

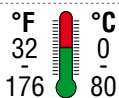


(10) S 3000-050-A
ORDER (10) S 3000-050-A-N

Fixings



Max. Speed
1,8 m/s



P max
150 bar
2175 psi

P min
20 bar
290 psi

S
19,63
cm²



Maintenance kit
39BMS03000A



Technical specifications

| Code | Cu mm | L mm | Lmin mm | F ₀ at 150 bar/+20 °C daN (±5%) | V ₀ cm ³ | connecting hole G1/8" Jic 37° hose Minimess hose | Kg |
|-----------------|----------|---------|------------|--|-----------------------------------|---|-------|
| S3000 - 025 - A | 25 | 120 | 95 | 2945 | 169,9 | S3000 - 025 - A - N | ~4,07 |
| S3000 - 038 - A | 38 | 146 | 108 | 2945 | 243,3 | S3000 - 038 - A - N | ~4,53 |
| S3000 - 050 - A | 50 | 170 | 120 | 2945 | 311 | S3000 - 050 - A - N | ~5,16 |
| S3000 - 063 - A | 63 | 196 | 133 | 2945 | 384,3 | S3000 - 063 - A - N | ~5,44 |
| S3000 - 080 - A | 80 | 230 | 150 | 2945 | 480,3 | S3000 - 080 - A - N | ~6,05 |
| S3000 - 100 - A | 100 | 270 | 170 | 2945 | 593,1 | S3000 - 100 - A - N | ~6,78 |

Info pg. 229